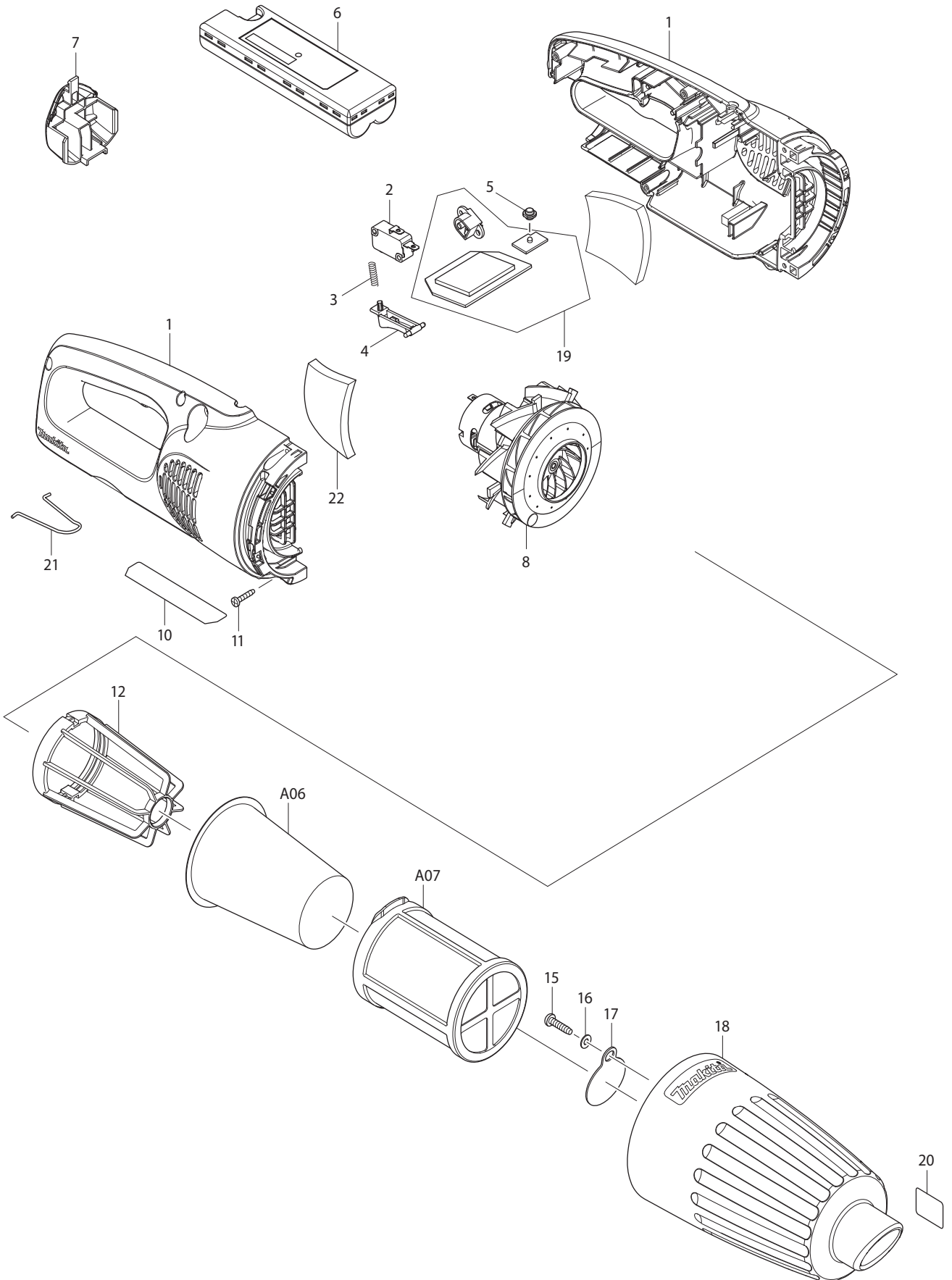




05 - 2017

CL111DWI

10.8V Vacuum Cleaner (Battery Built-in type)



Item No	Type	Sub	Part No	Description	Qty	Unit
001			183G85-4	HOUSING SET	1	SET
		INC.	812N96-1	CAUTION LABEL	1	PC.
002			650744-8	SWITCH D3V-16-3C26	1	PC.
003			231473-8	COMPRESSION SPRING 4	1	PC.
004			451210-6	SWITCH LEVER	1	PC.
005			450522-4	LENS	1	PC.
006			632C24-2	10.8V LI-ION BUILT-IN BATTERY	1	PC.
007			454080-2	COVER	1	PC.
008			123997-7	MOTOR ASSEMBLY	1	PC.
010			853L54-6	NAME PLATE F/CL111D	1	PC.
011			266429-2	TAPPING SCREW M3X16	5	PC.
012	2		458467-0	* STAY	1	PC.
015			265995-6	TAPPING SCREW M4X18	1	PC.
016			941051-3	FLAT WASHER 4	1	PC.
017			424208-6	VALVE	1	PC.
018			457643-3	CAPSULE	1	PC.
019	2		632L11-5	CONTROLLER UNIT	1	PC.
020			809293-4	INDICATION LABEL	1	PC.
021			324885-3	HANGER	1	PC.
022			422152-1	SPONGE SHEET 43-58	2	PC.
023	2		422268-2	* SPONGE SHEET 57	1	PC.

ACCESSORIES

- See Catalogue or visit www.makita.ca for more accessories -

A01			198150-4	NOZZLE ASSEMBLY (T-NOZZLE), F/ CARPET, IVORY, DX S	1	PC.
A02			416041-0	SASH NOZZLE, IVORY	1	PC.
A03			416043-6	SASH NOZZLE HOLDER, IVORY	1	PC.
A04			451424-7	PIPE, IVORY	1	PC.
A05			DC1001	CHARGER DC1001	1	PC.
A06			443060-3	CLOTH FILTER	1	PC.
A07	1		451208-3	NYLON PRE-FILTER (PKG# 198750-0)	1	PC.
	2		198750-0	NYLON PRE-FILTER (Bulk# 451208-3)	1	PC.
A08			191724-0	SHELF BRUSH, IVORY	1	PC.
A09	2		198548-5	ROUND BRUSH SET, IVORY	1	PC.
A10			191496-7	FLEXIBLE HOSE, IVORY	1	PC.
A11			198150-4	NOZZLE ASSEMBLY (T-NOZZLE), F/CARPET, IVORY, DX S	1	PC.
A12			199971-7	WALL MOUNT HOLDER (PKG)	1	PC.
A13			199989-8	HEPA FILTER	1	PC.

SERVICE CHANGES

(T/I# C1159)

Item No.	Description	Type 1	Type 2
12	STAY	410237-5	458467-0
23	SPONGE SHEET	---	422268-2

